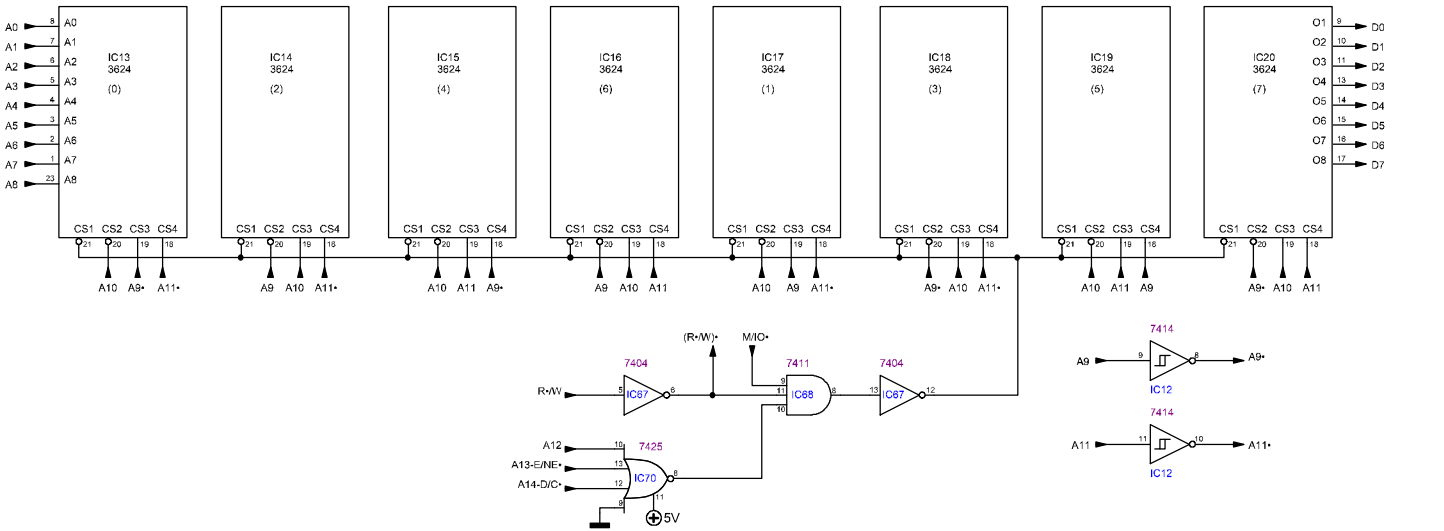
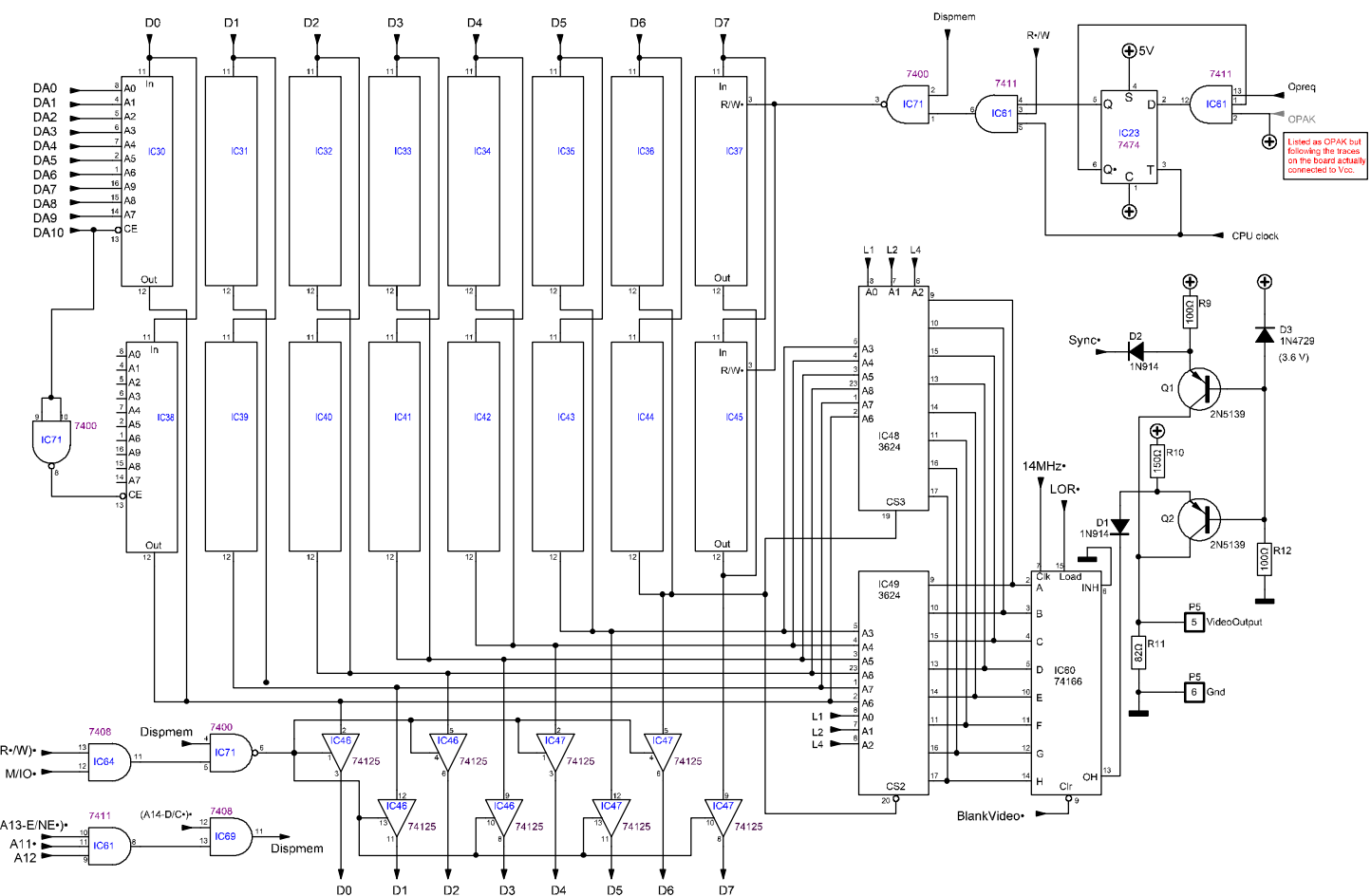


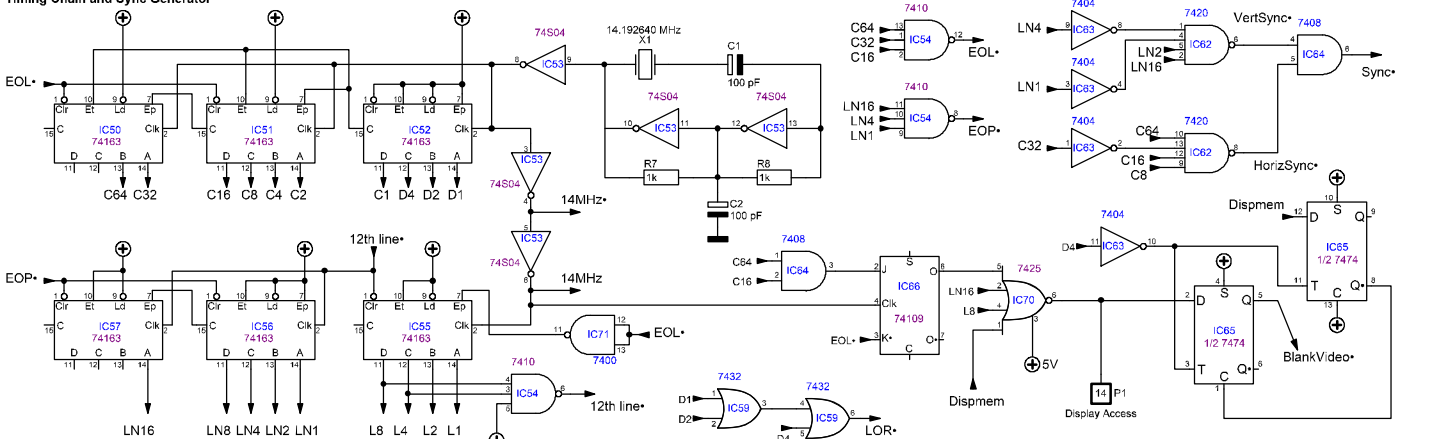
ROM Memory



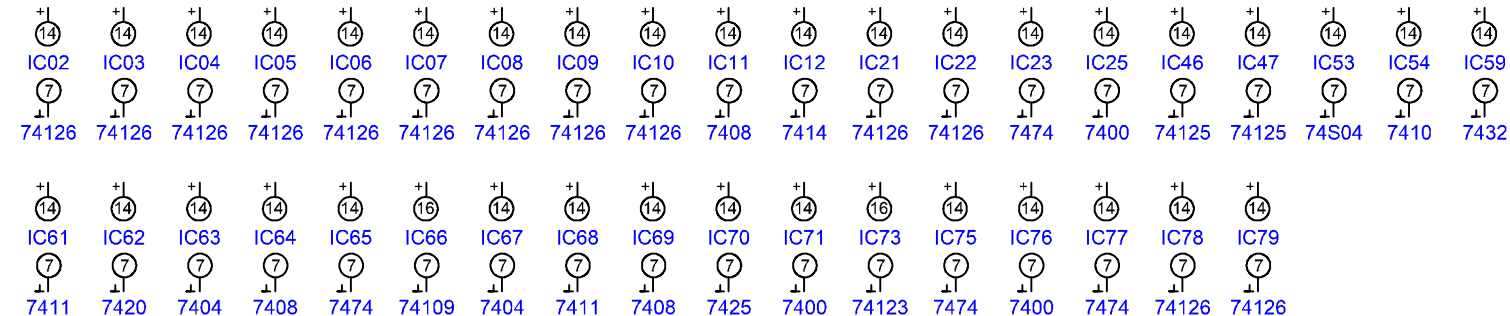
Display Generator



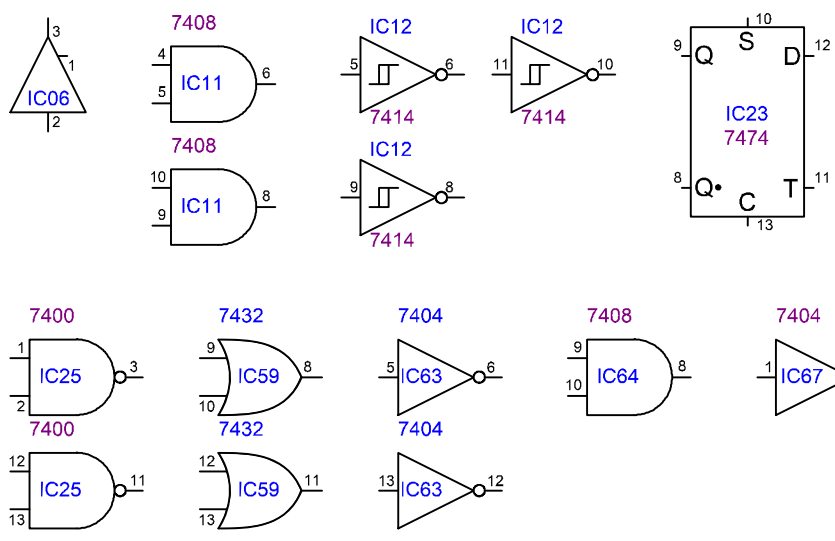
Timing Chain and Sync Generator



Parents (for editing parent/child relations)



Unused / spare



IC24 is not used, and not connected except for ground and Vcc. In the component list it is given as 7474, but it could be any 14-pin IC.

Identifier	Number	Value	Identifier	Number	Value
C3	1	100μ	R19	1	20k
C10	1	0.022	R20	1	68k
C11	1	100pF			
C1, C2	2	100 pF	R1, R2, R3, R4, R5, R6, R14, R18	8	10k
C12, C13	2	0.056			
C4, C8	2	0.01μ	R7, R8, R16, R17 R9, R12	4	1k
C5, C6, C7, C9	4	0.1μ		2	100Ω
D3	1	1N4729	VR21, VR22	2	20k
D1, D2	2	1N914			
D4, D5	2	1N4148	X1	1	14.192640 MHz
IC01	1	2650			
IC12	1	7414			
IC26	1	9334			
IC53	1	74S04			
IC54	1	7410			
IC59	1	7432			
IC60	1	74166			
IC62	1	7420			
IC66	1	74109			
IC70	1	7425			
IC72	1	555			
IC73	1	74123			
IC74	1	CA3130			
IC02, IC03, IC04, IC05, IC06, IC07, IC08, IC09, IC10, IC21, IC22, IC78, IC79	13	74126			
IC11, IC64, IC69	3	7408			
IC13, IC14, IC15, IC16, IC17, IC18, IC19, IC20, IC48, IC49	10	3624			
IC23, IC65, IC75, IC77	4	7474			
IC25, IC71, IC76	3	7400			
IC27, IC28, IC29	3	74157			
IC30, IC31, IC32, IC33, IC34, IC35, IC36, IC37, IC38, IC39, IC40, IC41, IC42, IC43, IC44, IC45	16	2102-1			
IC46, IC47	2	74125			
IC50, IC51, IC52, IC55, IC56, IC57, IC58	7	74163			
IC61, IC68	2	7411			
IC63, IC67	2	7404			
Q1, Q2	2	2N5139			
R10	1	150Ω			
R11	1	82Ω			
R13	1	620Ω			
R15	1	470Ω			

Identifier	Value	Identifier	Value	Identifier	Value
C1	100 pF	IC42	2102-1	R19	20k
C2	100 pF	IC43	2102-1	R20	68k
C3	100μ	IC44	2102-1		
C4	0.01μ	IC45	2102-1	VR21	20k
C5	0.1μ	IC46	74125	VR22	20k
C6	0.1μ	IC47	74125		
C7	0.1μ	IC48	3624	X1	14.192640 MHz
C8	0.01μ	IC49	3624		
C9	0.1μ	IC50	74163		
C10	0.022	IC51	74163		
C11	100pF	IC52	74163		
C12	0.056	IC53	74S04		
C13	0.056	IC54	7410		
		IC55	74163		
D1	1N914	IC56	74163		
D2	1N914	IC57	74163		
D3	1N4729	IC58	74163		
D4	1N4148	IC59	7432		
D5	1N4148	IC60	74166		
		IC61	7411		
IC01	2650	IC62	7420		
IC02	74126	IC63	7404		
IC03	74126	IC64	7408		
IC04	74126	IC65	7474		
IC05	74126	IC66	74109		
IC06	74126	IC67	7404		
IC07	74126	IC68	7411		
IC08	74126	IC69	7408		
IC09	74126	IC70	7425		
IC10	74126	IC71	7400		
IC11	7408	IC72	555		
IC12	7414	IC73	74123		
IC13	3624	IC74	CA3130		
IC14	3624	IC75	7474		
IC15	3624	IC76	7400		
IC16	3624	IC77	7474		
IC17	3624	IC78	74126		
IC18	3624	IC79	74126		
IC19	3624				
IC20	3624	Q1	2N5139		
IC21	74126	Q2	2N5139		
IC22	74126				
IC23	7474	R1	10k		
IC25	7400	R2	10k		
IC26	9334	R3	10k		
IC27	74157	R4	10k		
IC28	74157	R5	10k		
IC29	74157	R6	10k		
IC30	2102-1	R7	1k		
IC31	2102-1	R8	1k		
IC32	2102-1	R9	100Ω		
IC33	2102-1	R10	150Ω		
IC34	2102-1	R11	82Ω		
IC35	2102-1	R12	100Ω		
IC36	2102-1	R13	620Ω		
IC37	2102-1	R14	10k		
IC38	2102-1	R15	470Ω		
IC39	2102-1	R16	1k		
IC40	2102-1	R17	1k		
IC41	2102-1	R18	10k		