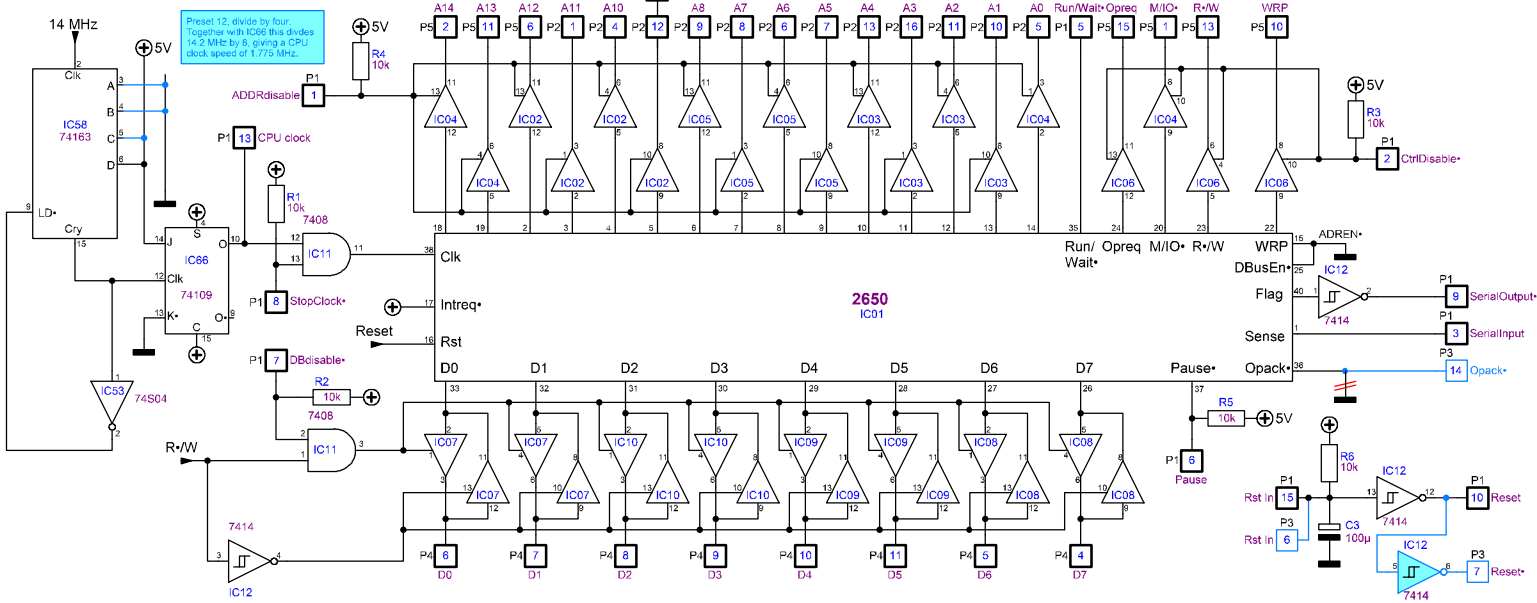
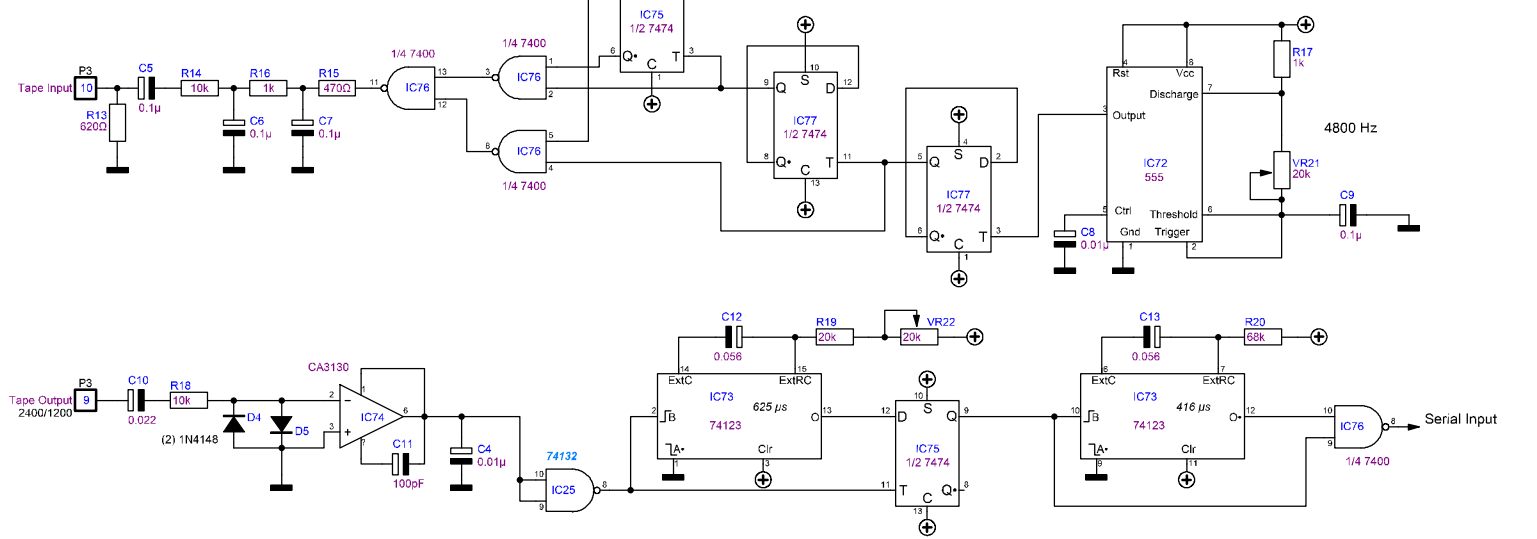


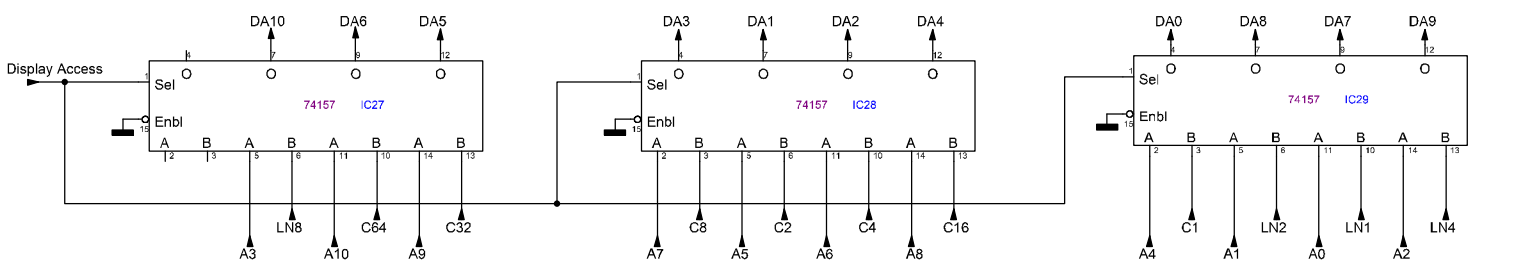
Processor and Bus Drivers



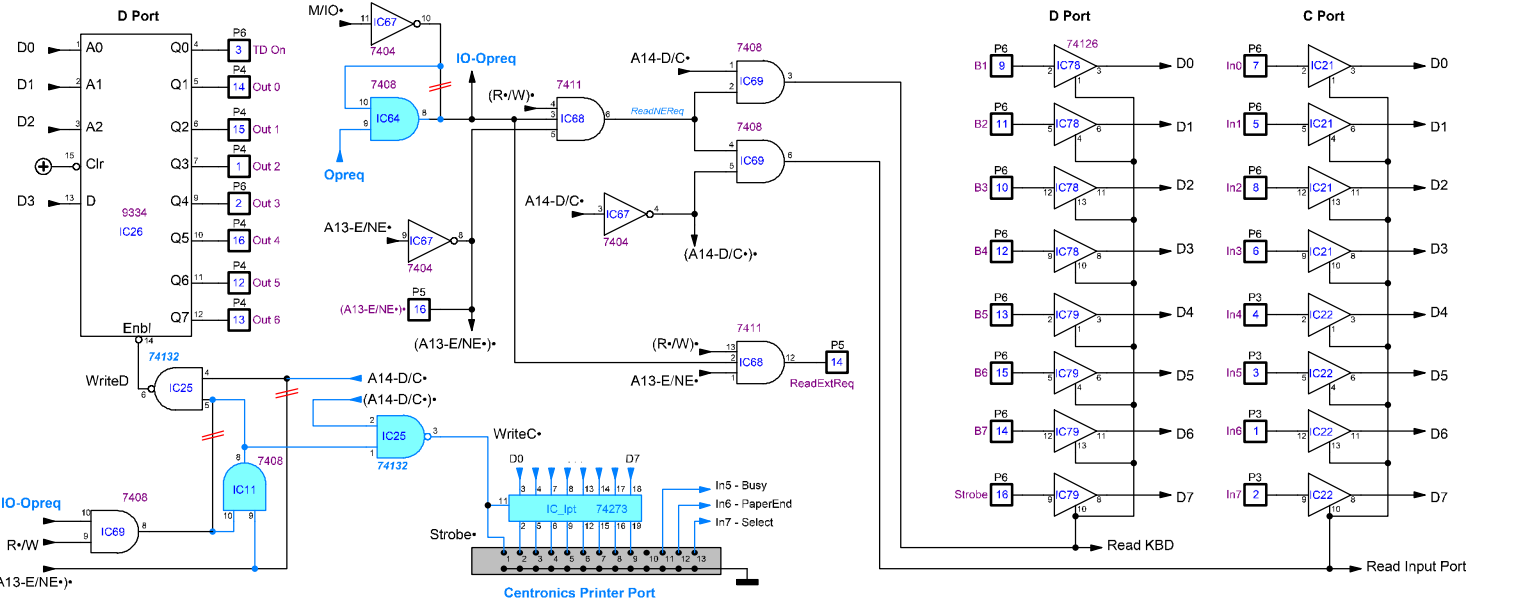
Cassette Tape Interface



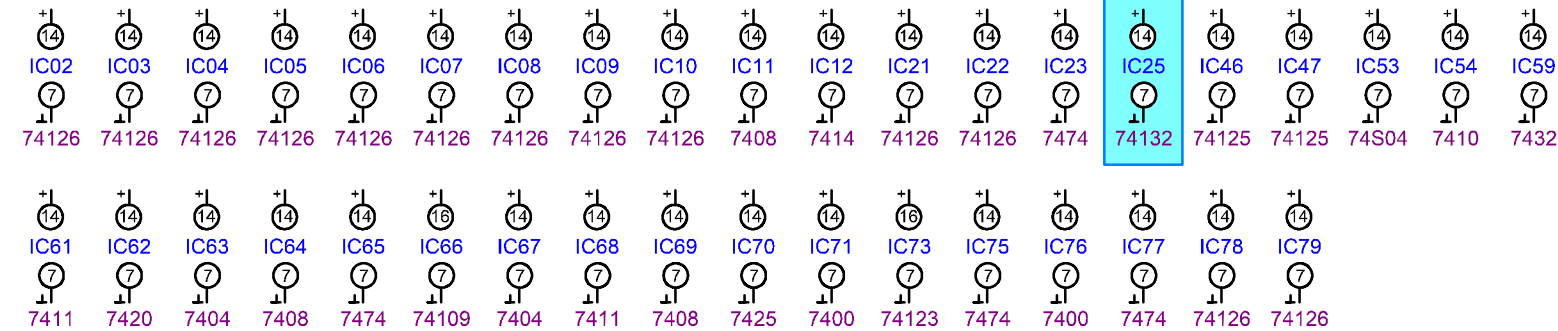
Display Memory Address Switch



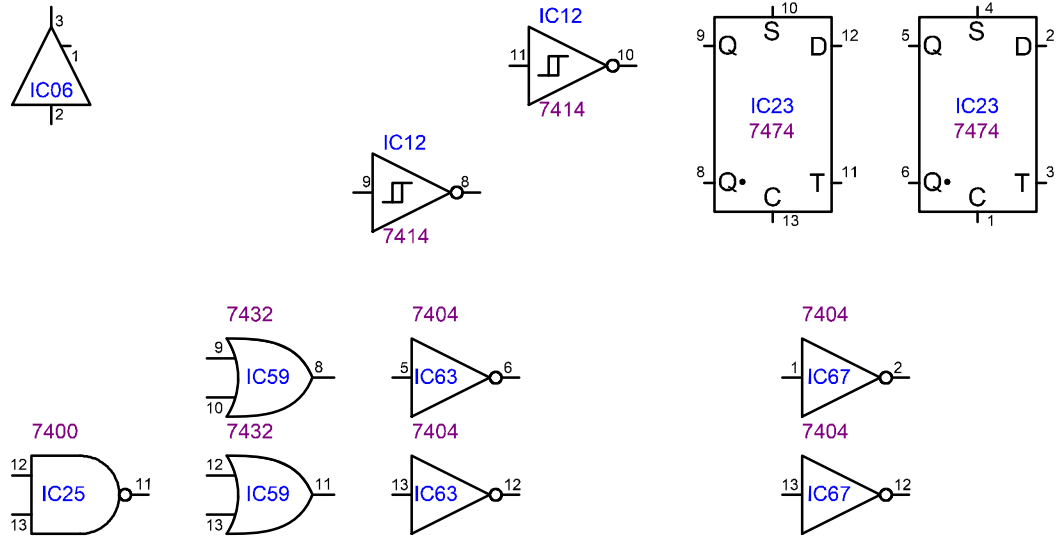
IO Ports



Parents (for editing parent/child relations)



Unused / spare



Identifier	Number	Value	Identifier	Number	Value	Identifier	Number	Value
C3	1	100μ	IC13,			Q2	2	2N5139
C10	1	0.022	IC14,			R10	1	150Ω
C11	1	100pF	IC14,			R11	1	82Ω
C1,			IC14,			R13	1	620Ω
C2,	2	100 pF	IC14,			R15	1	470Ω
C12,			IC14,			R19	1	20k
C13	2	0.056	IC20,			R20	1	68k
C4,			IC48,			R1,		
C8	2	0.01μ	IC49	10	82S115	R2,		
C5,			IC23,			R3,		
C6,			IC65,			R4,		
C7,			IC75,			R5,		
C9	4	0.1μ	IC77	4	7474	R6,		
D3	1	1N4729	IC27,			R14,		
D1,			IC28,			R18	8	10k
D2	2	1N914	IC29	3	74157	R7,		
D4,			IC30,			R8,		
D5	2	1N4148	IC31,			R16,		
IC01	1	2650	IC32,			R17	4	1k
IC12	1	7414	IC33,			R9,		
IC24	1	7442	IC34,			R12	2	100Ω
IC25	1	74132	IC35,			VR21,		
IC26	1	9334	IC36,			VR22	2	20k
IC53	1	74S04	IC37,			X1	1	42.60000 MHz
IC54	1	7410	IC38,					
IC59	1	7432	IC39,					
IC60	1	74166	IC40,					
IC62	1	7420	IC41,					
IC66	1	74109	IC42,					
IC70	1	7425	IC43,					
IC72	1	555	IC44,					
IC73	1	74123	IC45	16	2102-1			
IC74	1	CA3130	IC46,					
IC02,			IC47	2	74125			
IC03,			IC50,					
IC04,			IC51,					
IC05,			IC52,					
IC06,			IC55,					
IC07,			IC56,					
IC08,			IC57,					
IC09,			IC58	7	74163			
IC10,			IC61,					
IC21,			IC68	2	7411			
IC22,			IC63,					
IC78,			IC67	2	7404			
IC79	13	74126	IC71,					
IC11,			IC76	2	7400			
IC64,			IC_lpt	1	74273			
IC69	3	7408	Q1,					

Identifier	Value	Identifier	Value	Identifier	Value
C1	100 pF	IC41	2102-1	R16	1k
C2	100 pF	IC42	2102-1	R17	1k
C3	100μ	IC43	2102-1	R18	10k
C4	0.01μ	IC44	2102-1	R19	20k
C5	0.1μ	IC45	2102-1	R20	68k
C6	0.1μ	IC46	74125	VR21	20k
C7	0.1μ	IC47	74125	VR22	20k
C8	0.01μ	IC48	82S115	X1	42.60000 MHz
C9	0.1μ	IC49	82S115		
C10	0.022	IC50	74163		
C11	100pF	IC51	74163		
C12	0.056	IC52	74163		
C13	0.056	IC53	74S04		
D1	1N914	IC54	7410		
D2	1N914	IC55	74163		
D3	1N4729	IC56	74163		
D4	1N4148	IC57	74163		
D5	1N4148	IC58	74163		
IC01	2650	IC59	7432		
IC02	74126	IC60	74166		
IC03	74126	IC61	7411		
IC04	74126	IC62	7420		
IC05	74126	IC63	7404		
IC06	74126	IC64	7408		
IC07	74126	IC65	7474		
IC08	74126	IC66	74109		
IC09	74126	IC67	7404		
IC10	74126	IC68	7411		
IC11	7408	IC69	7408		
IC12	7414	IC70	7425		
IC13	82S115	IC71	7400		
IC14	82S115	IC72	555		
IC14	82S115	IC73	74123		
IC14	82S115	IC74	CA3130		
IC14	82S115	IC75	7474		
IC14	82S115	IC76	7400		
IC14	82S115	IC77	7474		
IC14	82S115	IC78	74126		
IC14	82S115	IC79	74126		
IC20	82S115	IC_lpt	74273		
IC21	74126	Q1	2N5139		
IC22	74126	Q2	2N5139		
IC23	7474				
IC24	7442				
IC25	74132				
IC26	9334	R1	10k		
IC27	74157	R2	10k		
IC28	74157	R3	10k		
IC29	74157	R4	10k		
IC30	2102-1	R5	10k		
IC31	2102-1	R6	10k		
IC32	2102-1	R7	1k		
IC33	2102-1	R8	1k		
IC34	2102-1	R9	100Ω		
IC35	2102-1	R10	150Ω		
IC36	2102-1	R11	82Ω		
IC37	2102-1	R12	100Ω		
IC38	2102-1	R13	620Ω		
IC39	2102-1	R14	10k		
IC40	2102-1	R15	470Ω		