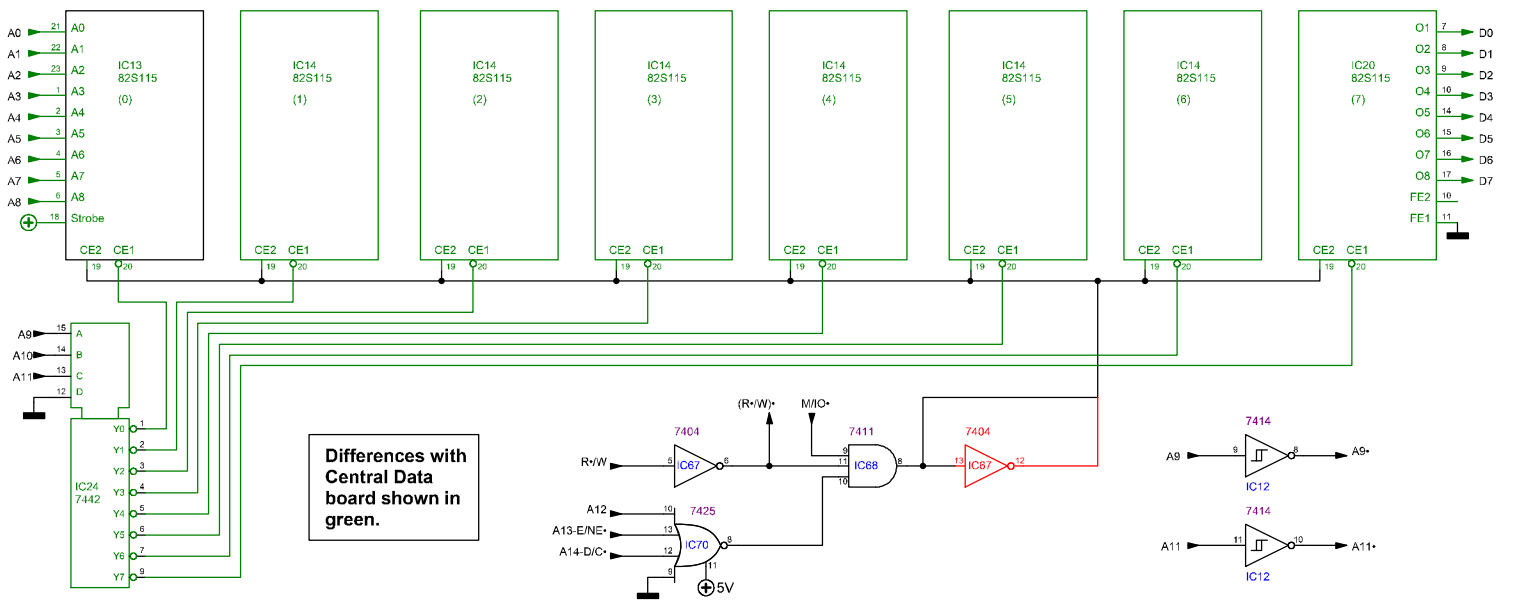
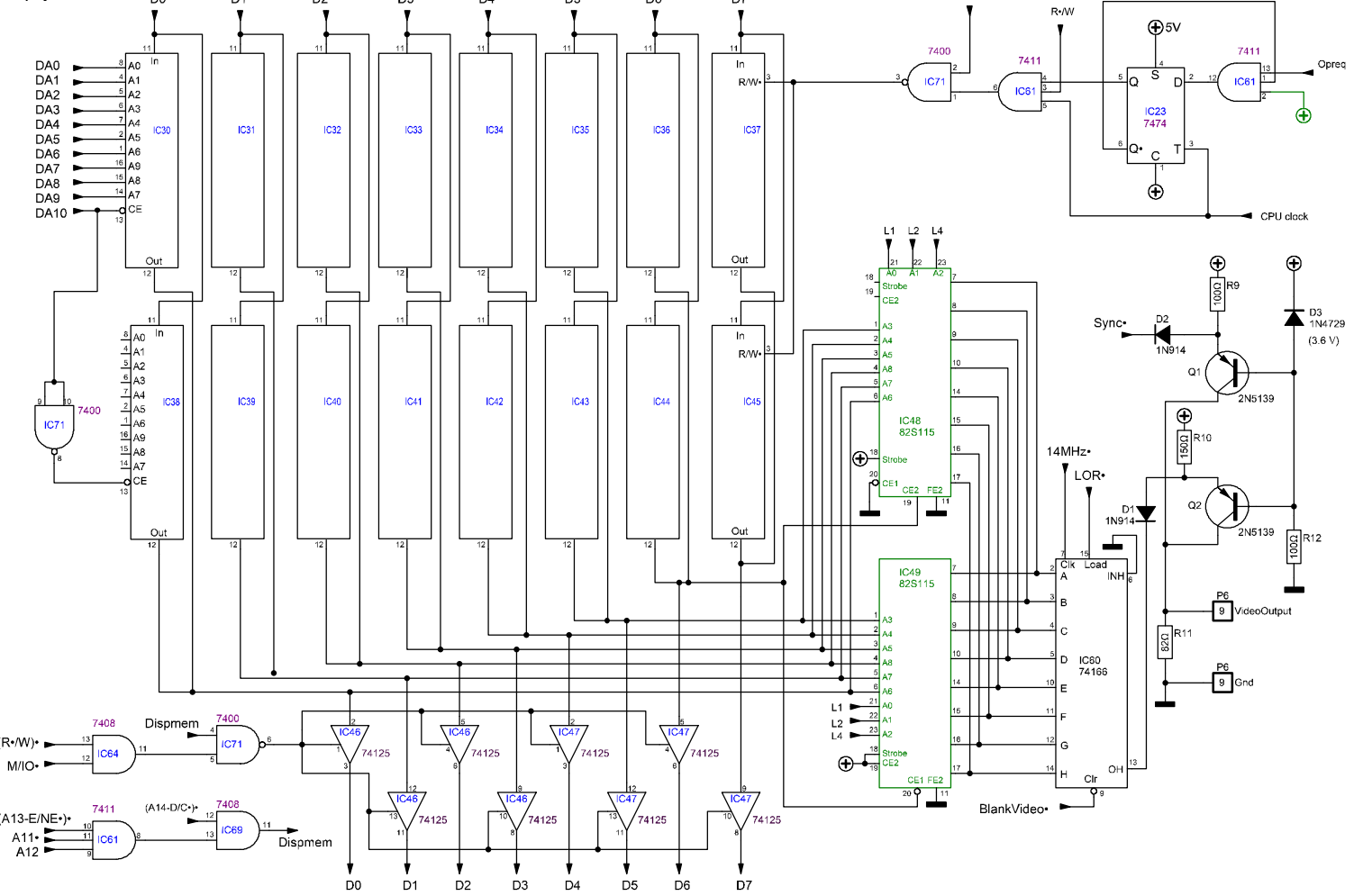


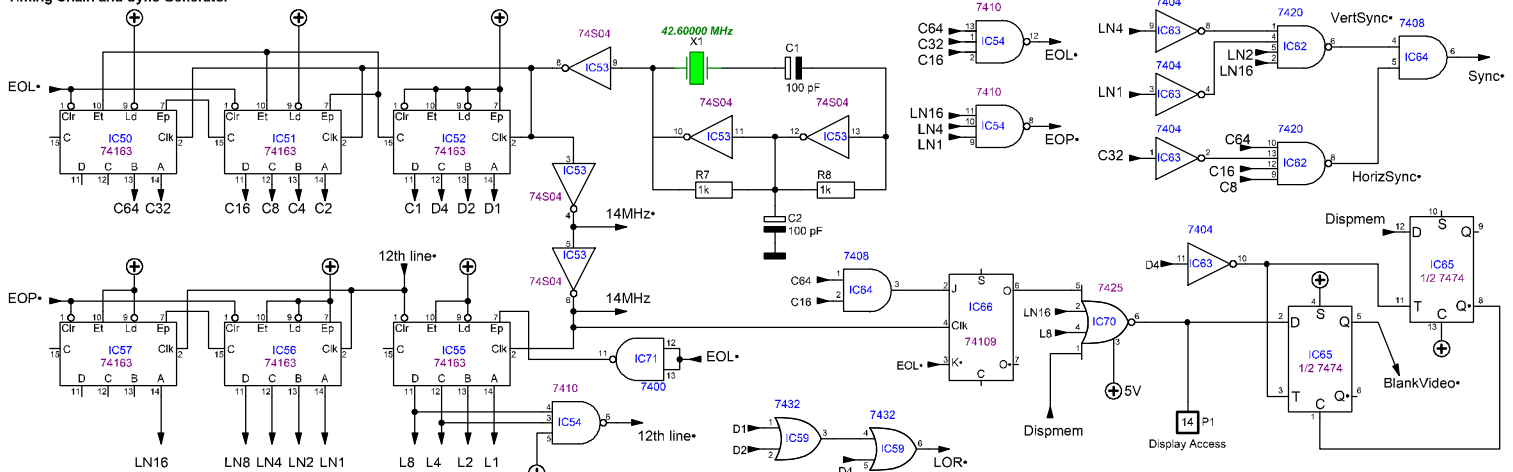
ROM Memory



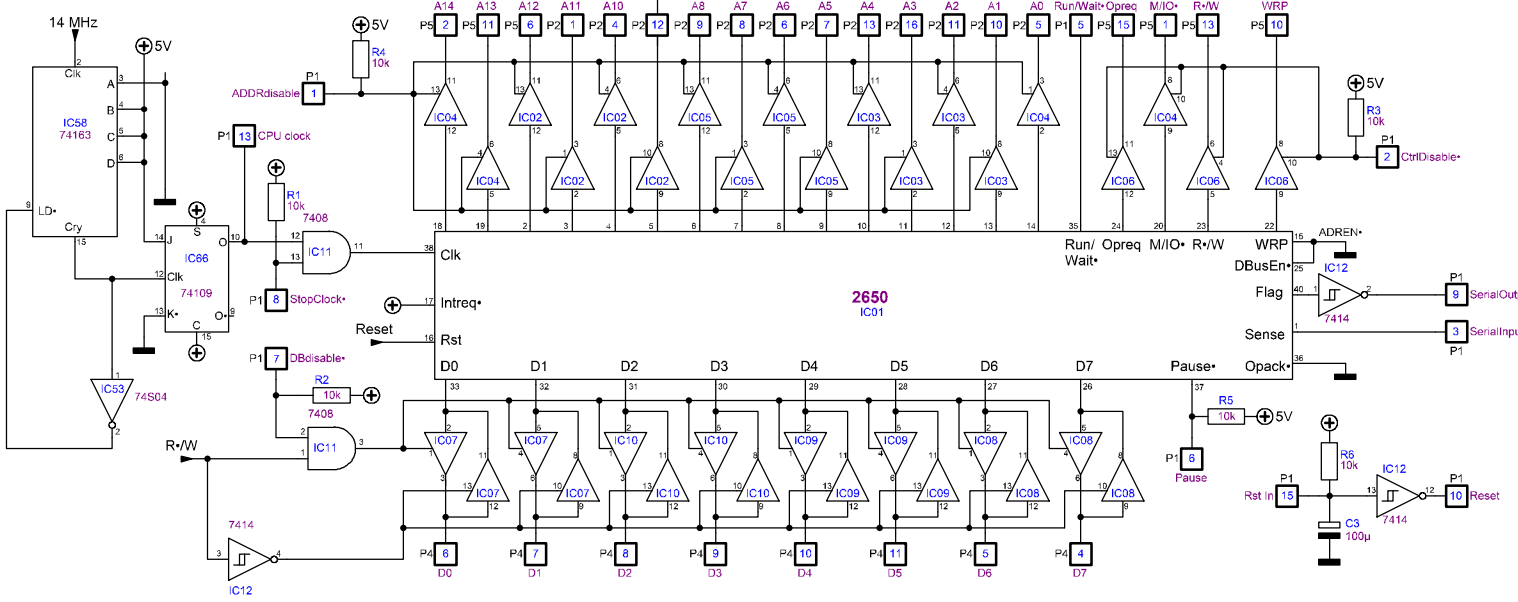
Display Generator



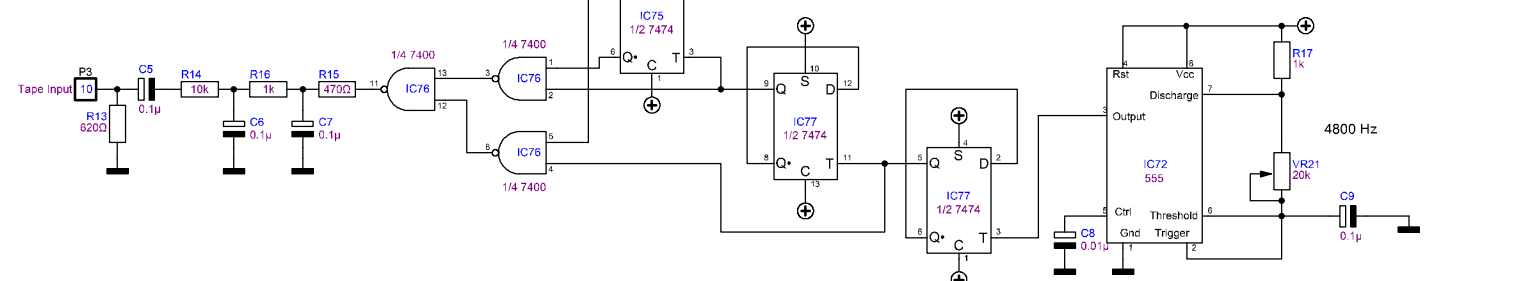
Timing Chain and Sync Generator



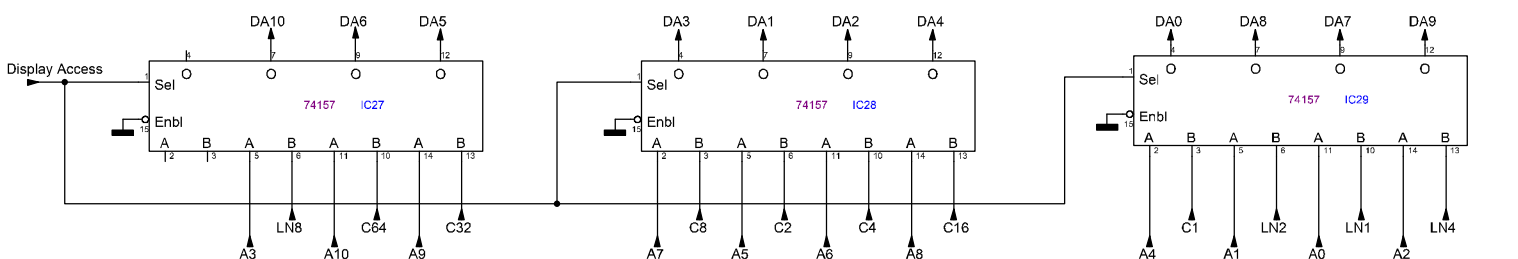
Processor and Bus Drivers



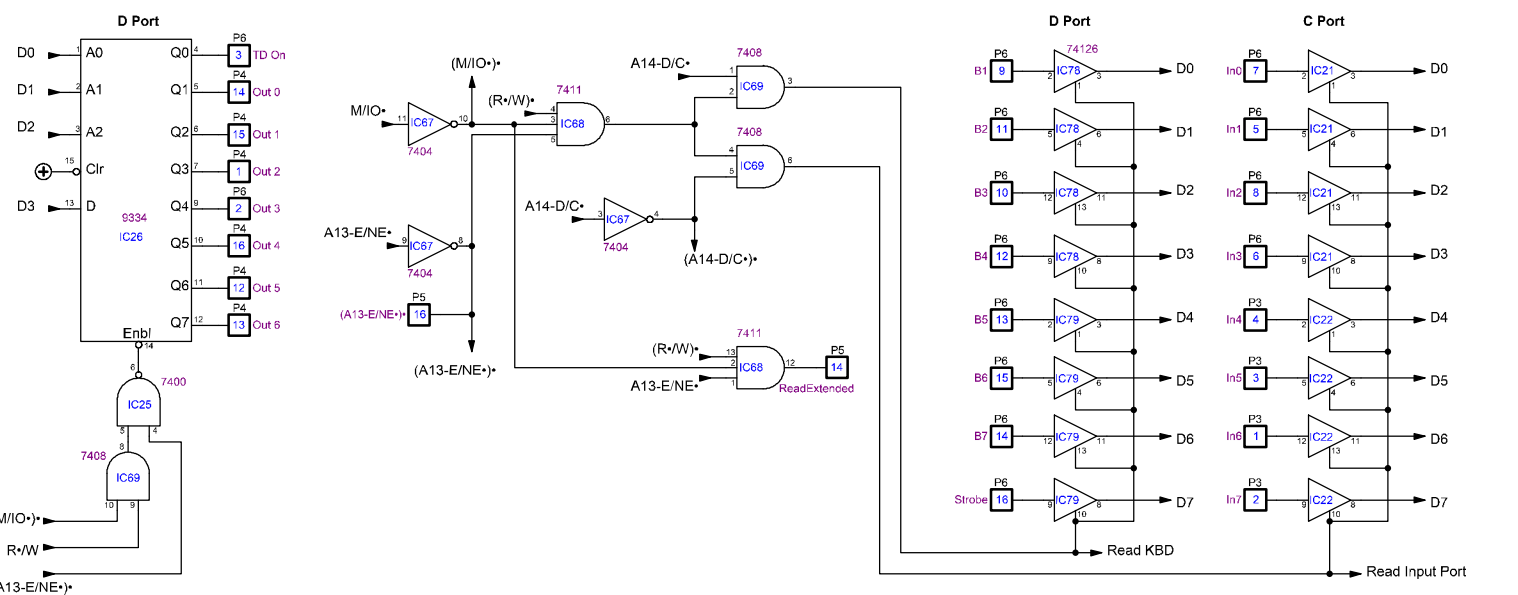
Cassette Tape Interface



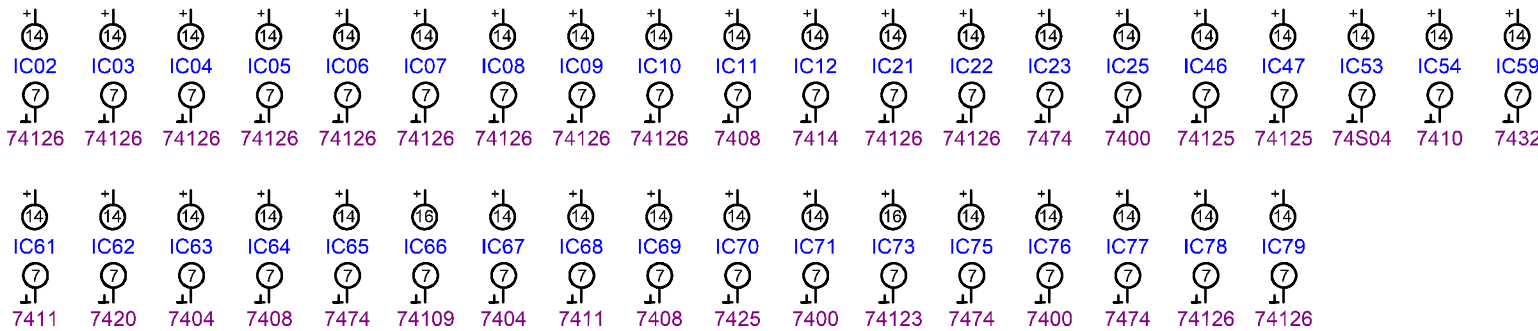
Display Memory Address Switch



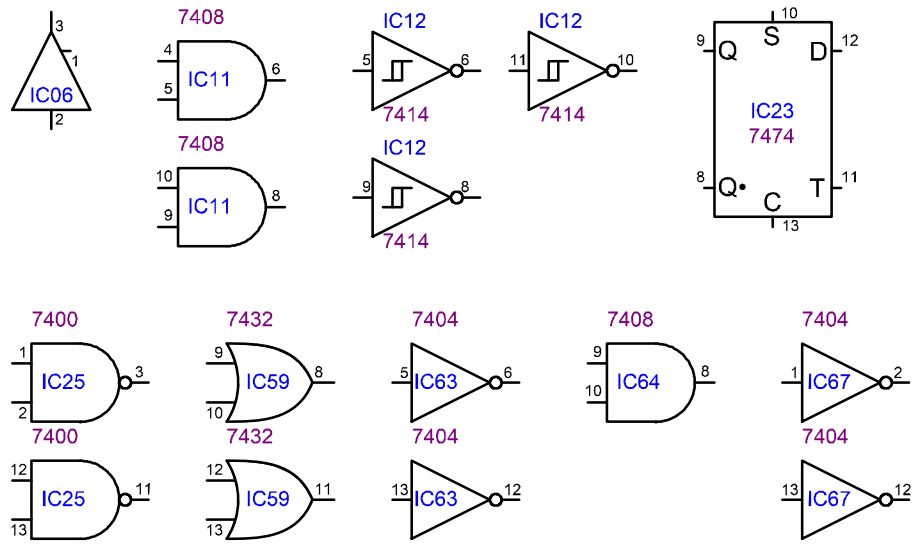
IO Ports



Parents (for editing parent/child relations)



Unused / spare



Identifier	Number	Value	Identifier	Number	Value
C3	1	100μ	IC63, IC67	2	7404
C10	1	0.022			
C11	1	100pF	Q1, Q2	2	2N5139
C1, C2	2	100 pF			
C12, C13	2	0.056	R10	1	150Ω
C4, C8	2	0.01μ	R11	1	82Ω
C5, C6, C7, C9	4	0.1μ	R13	1	620Ω
			R15	1	470Ω
D3	1	1N4729	R19	1	20k
D1, D2	2	1N914	R20	1	68k
D4, D5	2	1N4148			
IC01	1	2650	R1, R2, R3, R4, R5, R6, R14, R18	8	10k
IC12	1	7414			
IC24	1	7442	R7, R8, R16, R17	4	1k
IC26	1	9334	R9, R12	2	100Ω
IC53	1	74S04	VR21, VR22	2	20k
IC54	1	7410			
IC59	1	7432	X1	1	14.192640 MHz
IC60	1	74166			
IC62	1	7420			
IC66	1	74109			
IC70	1	7425			
IC72	1	555			
IC73	1	74123			
IC74	1	CA3130			
IC02, IC03, IC04, IC05, IC06, IC07, IC08, IC09, IC10, IC21, IC22, IC78, IC79	13	74126			
IC11, IC64, IC69	3	7408			
IC13, IC14, IC14, IC14, IC14, IC14, IC14, IC20, IC48, IC49	10	82S115			
IC23, IC65, IC75, IC77	4	7474			
IC25, IC71, IC76	3	7400			
IC27, IC28, IC29	3	74157			
IC30, IC31, IC32, IC33, IC34, IC35, IC36, IC37, IC38, IC39, IC40, IC41, IC42, IC43, IC44, IC45	16	2102-1			
IC46, IC47	2	74125			
IC50, IC51, IC52, IC55, IC56, IC57, IC58	7	74163			
IC61, IC68	2	7411			

Identifier	Value	Identifier	Value	Identifier	Value
C1	100 pF	IC41	2102-1	R18	10k
C2	100 pF	IC42	2102-1	R19	20k
C3	100μ	IC43	2102-1	R20	68k
C4	0.01μ	IC44	2102-1		
C5	0.1μ	IC45	2102-1	VR21	20k
C6	0.1μ	IC46	74125	VR22	20k
C7	0.1μ	IC47	74125		
C8	0.01μ	IC48	82S115	X1	14.192640 MHz
C9	0.1μ	IC49	82S115		
C10	0.022	IC50	74163		
C11	100pF	IC51	74163		
C12	0.056	IC52	74163		
C13	0.056	IC53	74S04		
		IC54	7410		
D1	1N914	IC55	74163		
D2	1N914	IC56	74163		
D3	1N4729	IC57	74163		
D4	1N4148	IC58	74163		
D5	1N4148	IC59	7432		
		IC60	74166		
IC01	2650	IC61	7411		
IC02	74126	IC62	7420		
IC03	74126	IC63	7404		
IC04	74126	IC64	7408		
IC05	74126	IC65	7474		
IC06	74126	IC66	74109		
IC07	74126	IC67	7404		
IC08	74126	IC68	7411		
IC09	74126	IC69	7408		
IC10	74126	IC70	7425		
IC11	7408	IC71	7400		
IC12	7414	IC72	555		
IC13	82S115	IC73	74123		
IC14	82S115	IC74	CA3130		
IC14	82S115	IC75	7474		
IC14	82S115	IC76	7400		
IC14	82S115	IC77	7474		
IC14	82S115	IC78	74126		
IC14	82S115	IC79	74126		
IC20	82S115				
IC21	74126	Q1	2N5139		
IC22	74126	Q2	2N5139		
IC23	7474				
IC24	7442	R1	10k		
IC25	7400	R2	10k		
IC26	9334	R3	10k		
IC27	74157	R4	10k		
IC28	74157	R5	10k		
IC29	74157	R6	10k		
IC30	2102-1	R7	1k		
IC31	2102-1	R8	1k		
IC32	2102-1	R9	100Ω		
IC33	2102-1	R10	150Ω		
IC34	2102-1	R11	82Ω		
IC35	2102-1	R12	100Ω		
IC36	2102-1	R13	620Ω		
IC37	2102-1	R14	10k		
IC38	2102-1	R15	470Ω		
IC39	2102-1	R16	1k		
IC40	2102-1	R17	1k		